

**8.0mm Square Tact Switch (Vertical, TH with Light Type)**



TSH-01/02T-XXX

TB - Tact Switch  
 H - H Series  
 01 / 02 - Type  
 T - TH Type  
 XXX - Action Force (gram)

**SPECIFICATIONS**

Mechanical Life: 1,000,000 cycles for 100g±50g  
 500,000 cycles for 160g±50g  
 200,000 cycles for 250g±50g

Operating Force: 100g±50g, 160g±50g, 250g±50g

Rating: 50mA 12V DC

Dielectric Withstanding: 250V AC/minute

Insulator Resistance: ≥ 100 MΩ at 100V

Contact Resistance: ≤ 100 mΩ/Contact

Operating Temperature: -20°C ~ +70°C


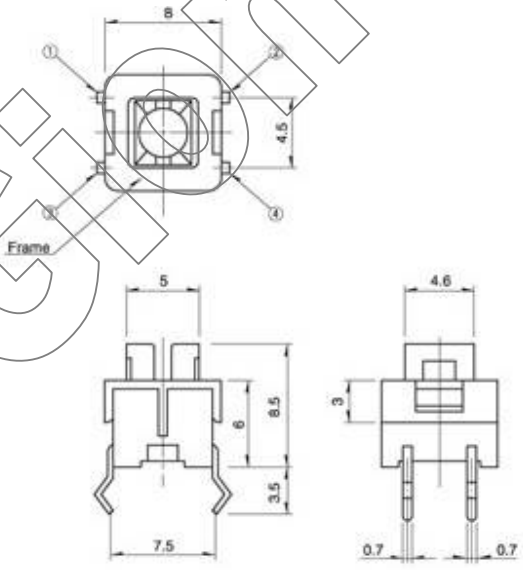
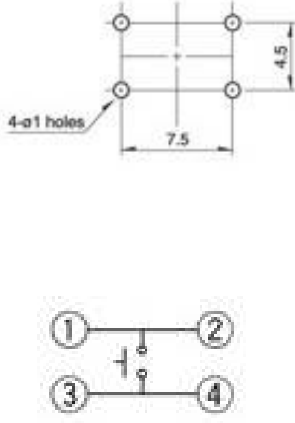
Storage Temperature: -40°C ~ +85°C


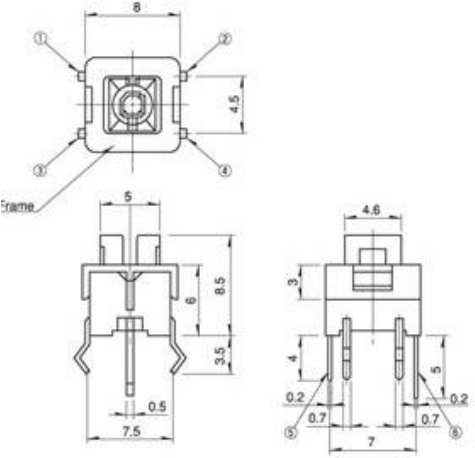
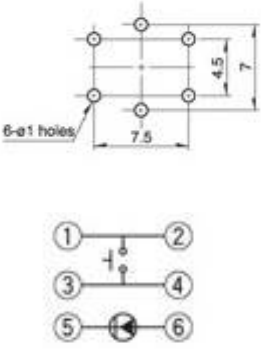
**Material**

Base: PA66/PA6T, UL94V-0

Contact material: Phosphor Bronze

Contact Spring Plating: Stainless Steel/Silver Plating

Physical Picture	Outline Drawing	Circuit
 <p>TSH-01T-XXX</p>		

Physical Picture	Outline Drawing	Circuit
 <p>TSH-02T-XXX</p>		

GionTech